

ADDENDUM NO. 3

TO: ALL PLAN HOLDERS

RE: City of Queen City, Texas-Earthwork and Drainage Improvements

ADDENDUM DATE: October 23, 2023

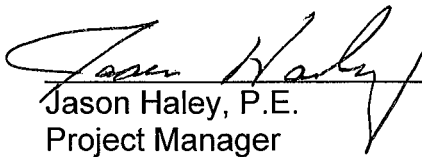
BID DATE: October 26, 2023 – 2 p.m.

The Plans, Specifications and Contract Documents for the above referenced project are hereby modified as follows:

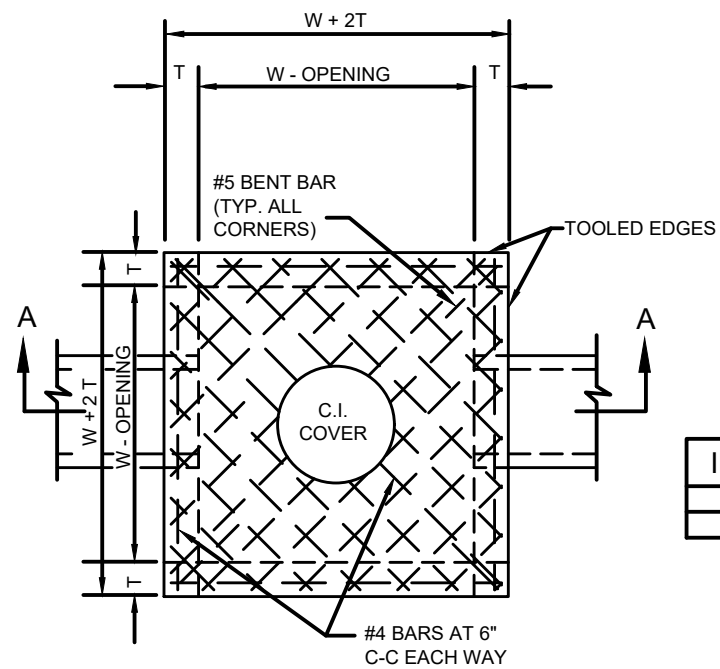
1. **Inlet Detail:** Sheet 3.0 is included to provide details for the proposed concrete 'Y' Inlet.

ADDENDUM NO.3 ISSUED BY:

A.L. FRANKS ENGINEERING



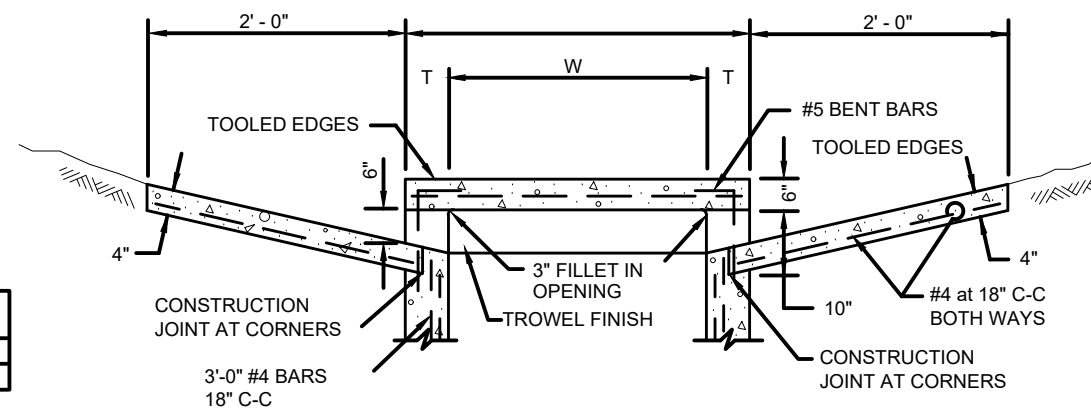
Jason Haley, P.E.
Project Manager



PLAN OF TOP SLAB

N.T.S.

INLET SIZE	T	W
3' SQUARE	6"	3'-0"



SECTION "A-A"

N.T.S.

NOTES:

1. MATERIAL SHALL BE MINIMUM 4,000 PSI CONCRETE.
2. LAYERS OF REINFORCING STEEL NEAREST THE INTERIOR AND EXTERIOR SURFACES SHALL HAVE A COVER OF 2" TO THE CENTER OF BARS, UNLESS OTHERWISE NOTED.
3. FOR DETAILS OF REINFORCING OF LOWER PORTIONS OF INLET SEE APPROPRIATE SQUARE MANHOLE DETAILS, TYP. #4 BAR @ 12" O.C.E.W.
4. DEPTH OF DROP INLET FROM FINISHED GRADE TO FLOW LINE OF INLET IS VARIABLE. APPROXIMATE DEPTH WILL BE SHOWN ON PLANS AT LOCATION OF INLET.
5. ALL STANDARD DROP INLETS SHALL HAVE ONE OPENING ON EACH SIDE UNLESS OTHERWISE SHOWN ON PLANS.
6. DECK MAY BE REINFORCED SAME AS 4' SQUARE MANHOLE.

'Y' INLET 3'

N.T.S.

Designed JCH
 Checked ALF
 Drawn JCH
 Approved ALF



118 East Broad Street
 Texarkana, Arkansas 71854
 Phone (870) 216-1906
 Fax (870) 216-1907

CITY OF QUEEN CITY, TEXAS
ECONOMIC DEVELOPMENT
CORPORATION

INLET DETAIL
QUEEN CITY EDC



Job No.: QC-01-16
 Scale: N.T.S.
 Date: OCT.2023
 Sheet C3.0

Date Revision By