

ADDENDUM NO. 1

TO: ALL PLAN HOLDERS

RE: Sevier County Water Association, Sevier County, Arkansas-10" Water Main Loop

ADDENDUM DATE: October 22, 2024

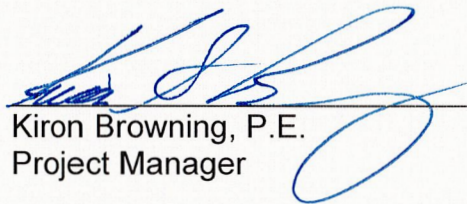
The Plans, Specifications and Contract Documents for the above referenced project are hereby modified as follows:

Project Update

1. Replace Original Plan Sheet 13 with the attached Revised Plan Sheet 13.

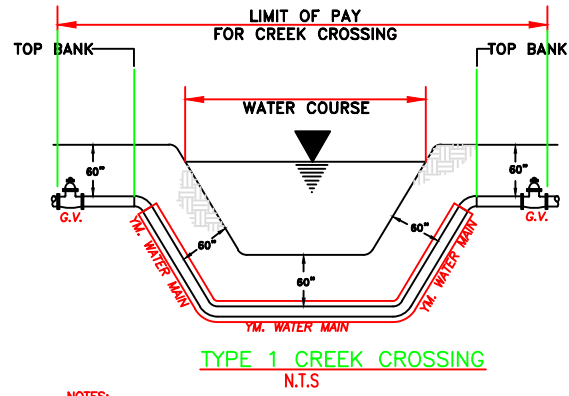
ADDENDUM NO.1 ISSUED BY:

A.L. FRANKS ENGINEERING

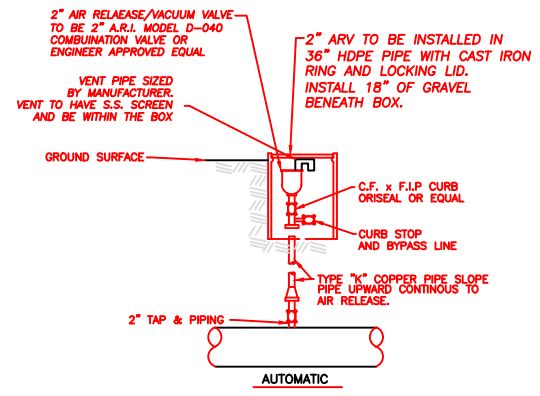

Kiron Browning, P.E.
Project Manager



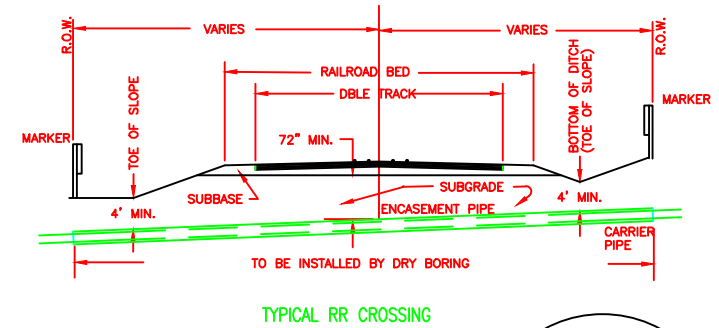
Attachment:



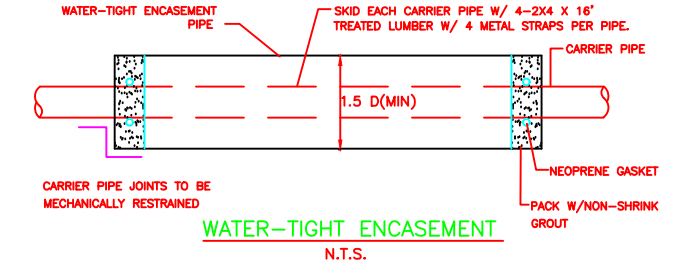
- NOTES:
1. INSTALL 6" CERTA-LOK YELOMINE DR-17 MAIN FROM TOP BANK TO TOP BANK ENCASED IN 12" CERTA-LOK YELOMINE DR-17 USING THE DIRECTIONAL BORE METHOD.
 2. WHEN CROSSING A WATER COURSE THAT IS GREATER THAN 15 FEET CONTRACTOR TO INSTALL ISOLATION VALVES ON EACH SIDE OF THE WATER COURSE.
 3. CONTRACTOR SHALL INSTALL A 3/4" TAPPING SADDLE, CURB STOP, SIX FEET OF 3/4" SERVICE LINE AND A CORPORATION STOP ON EACH SIDE OF THE VALVE CLOSEST TO THE SUPPLY SOURCE. CONTRACTOR TO PLACE BOTH CORP STOPS SIDE BY SIDE IN A METER BOX AND INSTALL A DIRECT READ METER BETWEEN THE CORP STOPS.



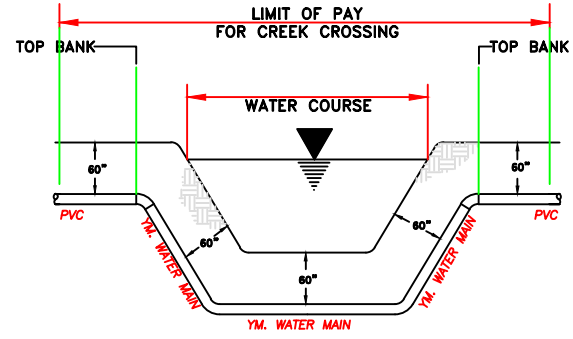
- NOTE: 1. ALL THREADED CONNECTIONS SHALL HAVE A DOUBLE WRAP OF 3-MIL TEFLON TAPE ON THE THREAD.
 2. PIPING SHALL BE SLOPED CONSTANTLY UPWARD TO ARV.
 3. EACH ARV SHALL HAVE A FIBERGLASS MARKER LOCATED ADJACENT TO THE BOX.
- AIR/VACUUM RELEASE VALVE DETAILS**
N.T.S.



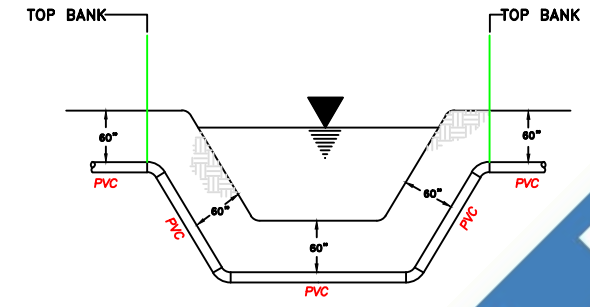
TYPICAL RR CROSSING



WATER-TIGHT ENCASEMENT
N.T.S.

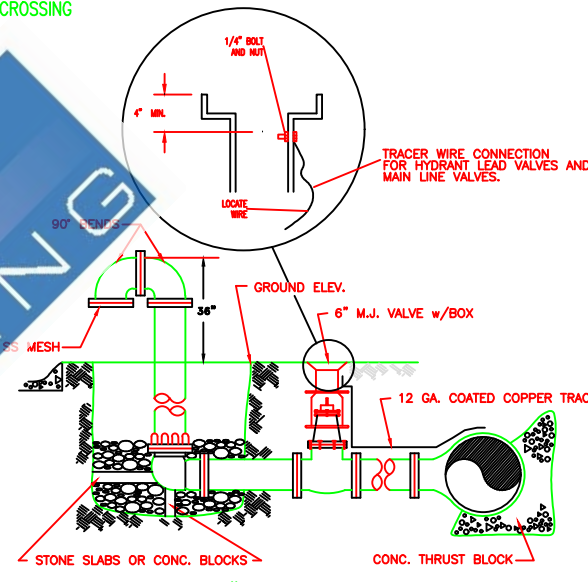


INSTALL 10" CERTA-LOK YELOMINE DR-17 OR HDPE DR-11 MAIN FROM TOP BANK TO TOP BANK USING THE DIRECTIONAL BORE METHOD



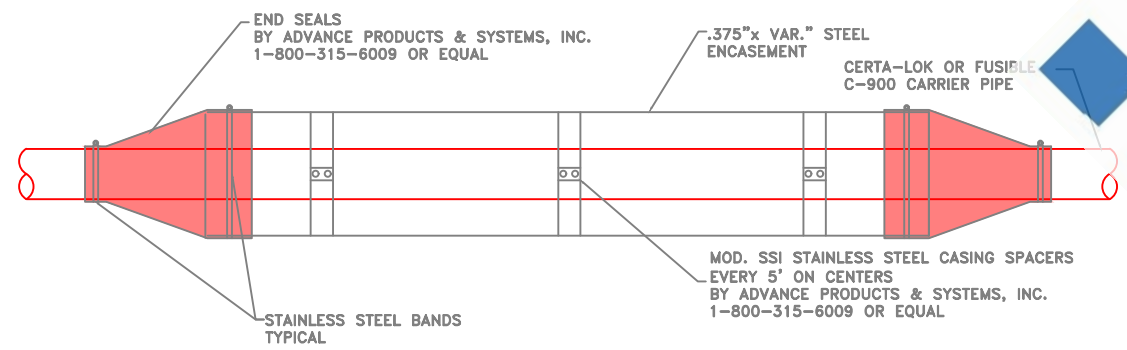
NOTE: INSTALL MAIN FROM TOP BANK TO TOP BANK WITH MECHANICAL JOINT FITTINGS AS NEEDED
 TYPE 3 CREEK CROSSING IS NOT A PAY ITEM

TYPE 3 CREEK CROSSING
N.T.S.



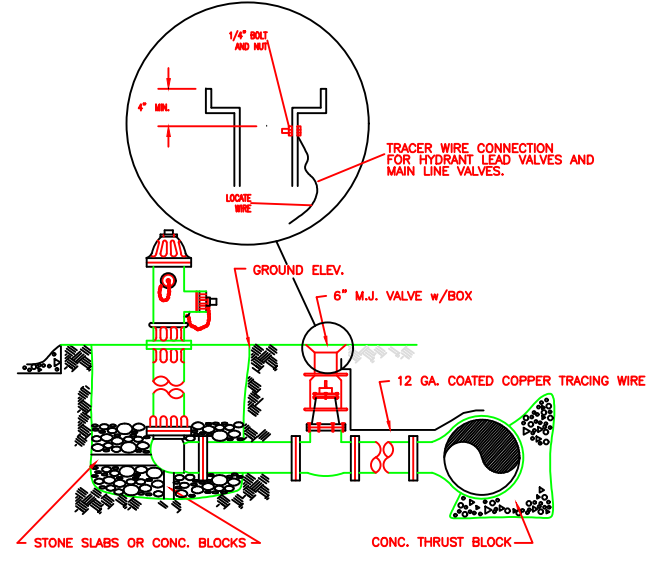
6" BLOW-OFF ASSEMBLY
N.T.S.

- NOTES CONCERNING BLOW-OFF ASSEMBLIES:
1. DRAINAGE BED SHALL CONSIST OF CRUSHED STONE OR COURSE GRAVEL W/ COURSE SAND, MIN. VOLUME 7 CU. FT. DRAIN BED SHALL EXTEND A MIN. 6" ABOVE DRAIN OUTLET.
 2. USE 6" C.I. NIPPLE W/M.J. RETAINER GLANDS IF DISTANCE BETWEEN VALVE AND 90° BEND MUST BE GREATER THAN 17".
 3. 90° BEND TO BE BLOCKED AGAINST FIRM SOIL AS SHOWN. ROTATE BARREL AS REQUIRED.
 4. ALL BLOW-OFF ASSEMBLIES SHALL BE INSTALLED PLUMB.
 5. 90° BEND FACES AWAY FROM ROAD, UNLESS OTHERWISE NOTED.
 6. 90° BENDS SHOULD NOT BE SET CLOSER THAN 4' TO OBSTRUCTIONS THAT ARE IN LINE WITH NOZZLE.
 7. USE M.J. ANCHOR TEE FOR 16" AND SMALLER MAINS. WHEN USING REGULAR M.J. TEE USE 13" ADAPTER NIPPLE BETWEEN TEE AND VALVE.
 8. TAPPING SADDLE MAY BE USED ON DUCTILE IRON MAINS LARGER THAN 16" DIAMETER.
 9. SADDLES SHALL BE EQUAL TO MANUFACTURERS BY AMERICAN CAST IRON PIPE CO. THEY SHALL BE FIELD COATED WITH COAL TAR ENAMEL.

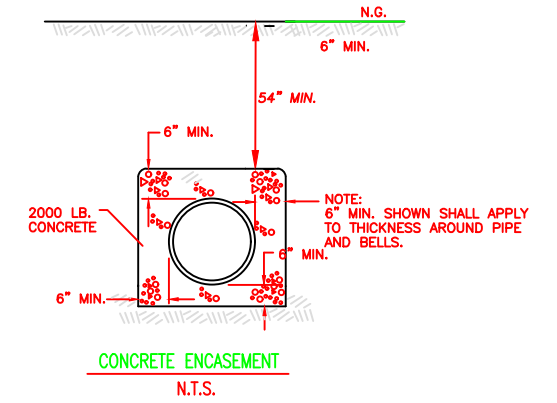


STEEL ENCASEMENT DETAIL
N.T.S.

- NOTES CONCERNING FIRE HYDRANTS:
1. MIN. 6" ABOVE DRAIN OUTLET.
 2. USE 6" C.I. NIPPLE W/M.J. RETAINER GLANDS IF DISTANCE BETWEEN VALVE AND FIRE HYDRANT MUST BE GREATER THAN 17".
 3. FIRE HYDRANT TO BE BLOCKED AGAINST FIRM SOIL AS SHOWN.
 4. ALL HYDRANTS SHALL BE INSTALLED PLUMB.
 5. LARGE NOZZLE FACES ROAD, UNLESS OTHERWISE NOTED. ROTATE BARREL AS REQUIRED.
 6. HYDRANT SHOULD NOT BE SET CLOSER THAN 4' TO OBSTRUCTIONS THAT ARE IN LINE WITH NOZZLE.
 7. USE M.J. ANCHOR TEE FOR 16" AND SMALLER MAINS. WHEN USING REGULAR M.J. TEE USE 13" ADAPTER NIPPLE BETWEEN TEE AND VALVE.
 8. TAPPING SADDLE MAY BE USED ON DUCTILE IRON MAINS LARGER THAN 16" DIAMETER.
 9. SADDLES SHALL BE EQUAL TO MANUFACTURERS BY AMERICAN CAST IRON PIPE CO. THEY SHALL BE FIELD COATED WITH COAL TAR ENAMEL.



FIRE HYDRANT ASSEMBLY
N.T.S.



CONCRETE ENCASEMENT
N.T.S.

Date	Revision	By

Designed _____
 Checked KSB
 Drawn BCP
 Approved KSB



118 East Broad Street
 Texarkana, Arkansas 71854
 Phone (870) 216-1906
 Fax (870) 216-1907

SEVIER COUNTY WATER ASSOCIATION
 WATER MAIN REPLACEMENT

MISCELLANEOUS DETAILS

Job No.: SCW-01-24
 Scale: AS SHOWN
 Date: 4/2024
 Sheet 13

